

EKH.EN.3M.I



EKH.EN.3M.I

Tough, electrically driven brass ball valve with L- or T-bore.

SIZE

DN08 (1/4") bis DN50 (2")

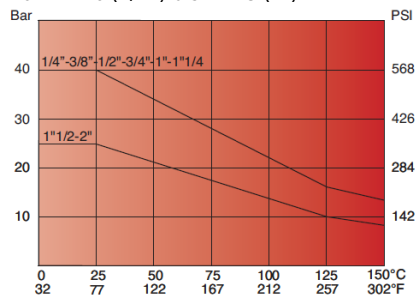
CONNECTION

Internal thread acc. UNI EN 10226 (DIN ISO 7/1)

Mounting flange acc. ISO 5211

NOMINAL PRESSURE

Von PN40 (1/4") bis PN25 (2")



MATERIALS

Body: Brass CW 617 N UNI EN 12165

Ball: Brass, hart chrome plated CW 614 N UNI EN 12164

Ball seal: PTFE

Stem: Brass, hart chrome plated CW 614 N UNI EN 12164

Stem seal: PTFE

O-Ring: Elastomer

FLOW DIRECTION

Random

MOUNTING POSITION

See mounting reference for industrial valves

FLOW MEDIUM

Neutral gases and fluids. For aggressive medium see material resistance table. Medium which to an increase of operating torque could require other actuator size.

OPERATION METHOD (Standard)

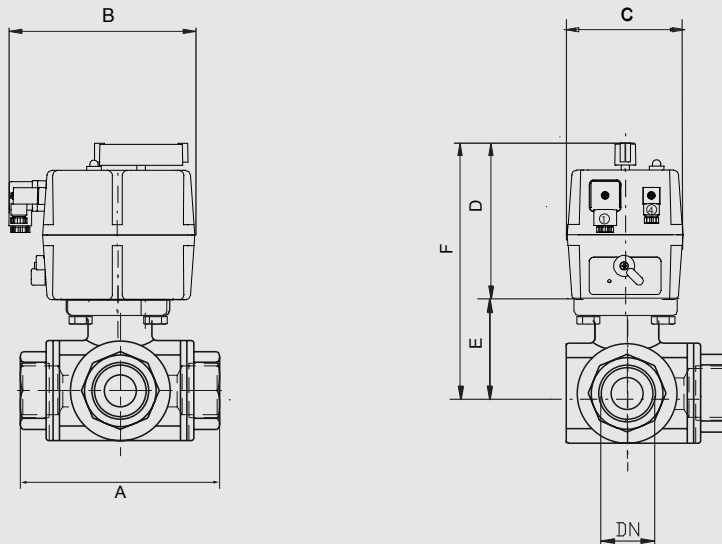
Electric actuators.

VOLTAGE

12 -24V AC/DC, 85 - 240V AC/DC.

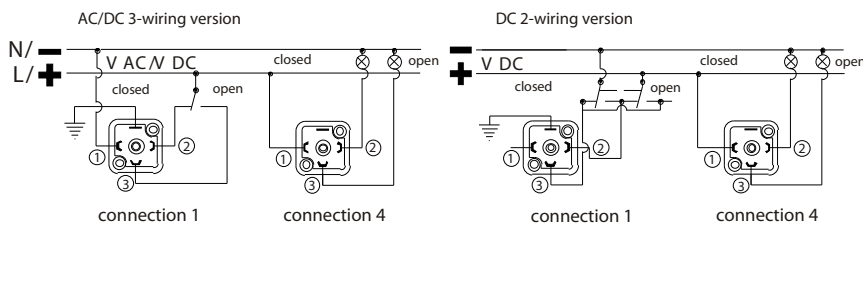
OPTIONS AND ACCESSORIES

Security power unit BSR, potentiometer, positioner DPS 2005.



EKH.EN.3M.I	nominal width [mm] ["]		max. press. [bar] PN	M(1) + 30% [Nm]	Flange	square	electric actuator	dimension [mm] and weight [kg]						Order code (2) (3)	
	DN	Rp						A	B	C	D	E	F		weight
	8	1/4"	40	7,2	F03	9	ME-203	64,5	177	110	149	65	214	2,00	EKH.EN.3M.I.yy.DN08.ME203.xxx.100
	10	3/8"	40	7,2	F03	9	ME-203	64,5	177	110	149	65	214	1,95	EKH.EN.3M.I.yy.DN10.ME203.xxx.100
	15	1/2"	40	7,2	F03	9	ME-203	64,5	177	110	149	65	214	1,90	EKH.EN.3M.I.yy.DN15.ME203.xxx.100
	20	3/4"	40	8,5	F03	9	ME-203	76	177	110	149	65	214	2,20	EKH.EN.3M.I.yy.DN20.ME203.xxx.100
	25	1"	40	12,5	F03/F04	9	ME-203	97	177	110	149	65	214	2,70	EKH.EN.3M.I.yy.DN25.ME203.xxx.100
	32	1 1/4"	40	19,5	F04/F05	11	ME-203	118	177	110	149	74	223	4,50	EKH.EN.3M.I.yy.DN32.ME203.xxx.100
	40	1 1/2"	25	32,5	F04/F05	11	ME-353	135	177	110	171	88	259	5,10	EKH.EN.3M.I.yy.DN40.ME203.xxx.100
	50	2"	25	43	F05	14	ME-553	157	177	110	196	100	296	7,10	EKH.EN.3M.I.yy.DN50.ME353.xxx.100

(1) Max. ball valve torque + 30%, (2) yy = mounting version (L1-L4 bore, T1 - T4 bore), (3) xxx = Voltage as requested 12 - 24V AC/DC or 85 - 240V AC/DC.



Flow direction L-bore



Flow direction T-bore

