

EKH.GE.3E.I

Tough electrically driven
3-way stainless steel ball valve
with L- or T-bore.



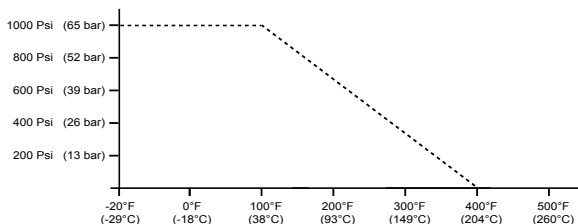
SIZE

1/4" to 2"

CONNECTION

Internal thread ISO 7-1 (DIN 2999) / DIN 259.
Flange ISO 5211

NOMINAL PRESSURE



TEMPERATURE (Medium)

-10° to +200°C (operating pressure dependent)

MATERIALS

Body: 1.4408
Ball: 1.4401
Ball seal: PTFE, glasfiber
Stem: 1.4401
Stem seal: PTFE
O-Ringe Viton

FLOW DIRECTION

Random

MOUNTING POSITION

See mounting reference for industrial valves.

FLOW MEDIUM

Neutrale gases and fluids. For aggressive medium see material resistance table. Medium which to an increase of perating torque could require other actuator size.

OPERATION METHOD (Standard)

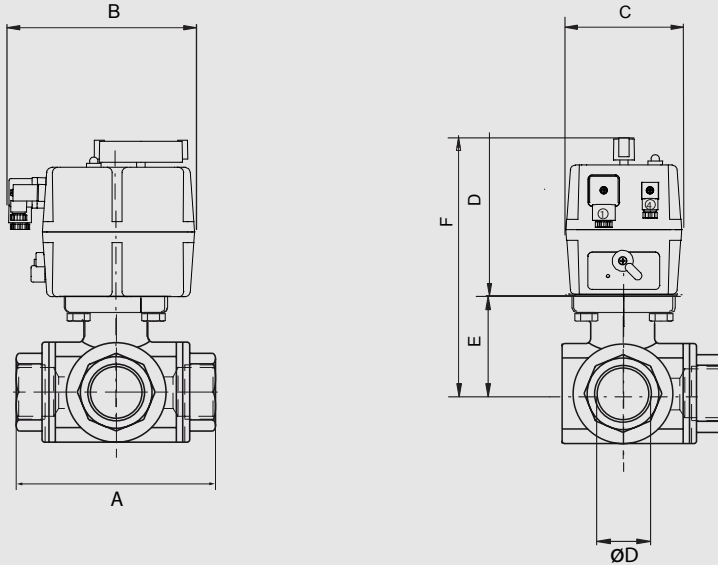
Electric actuator.

VOLTAGE

12 - 24V AC/DC oder 85 - 240V AC/DC

OPTIONS AND ACCESSORIES

Security power unit BSR, potentiometer, positioner DPS 2005.



EKH.GE.3E.I	Nominal width [mm]		max. press. [bar] PN	M(1) + 30% [Nm]	Flange	square	Electric actuator	Dimension [mm] and weight [kg]						Order code (2) (3)	
	Rp	ØD						A	B	C	D	E	F		Weight
	1/4"	12	63	13	F03/F04	9	ME-203	80	177	110	149	33,2	182,2	2,35	EKH.EP.3E.I.yy.DN08.ME203.xxx.100
	3/8"	12	63	13	F03/F04	9	ME-203	80	177	110	149	33,2	182,2	2,35	EKH.EP.3E.I.yy.DN10.ME203.xxx.100
	1/2"	12	63	13	F04/F04	9	ME-203	80	177	110	149	35,0	184,0	2,35	EKH.EP.3E.I.yy.DN15.ME203.xxx.100
	3/4"	15	63	18	F04/F05	11	ME-203	87,5	177	110	149	41,1	190,1	2,60	EKH.EP.3E.I.yy.DN20.ME203.xxx.100
	1"	20	63	22	F04/F05	11	ME-203	100	177	110	149	44,5	193,5	3,20	EKH.EP.3E.I.yy.DN25.ME203.xxx.100
	1 1/4"	25	63	35	F04/F05	11	ME-353	123	177	110	171	49,4	220,4	4,85	EKH.EP.3E.I.yy.DN32.ME353.xxx.100
	1 1/2"	32	63	42	F04/F05	11	ME-353	142,2	177	110	171	55,0	226,0	5,85	EKH.EP.3E.I.yy.DN40.ME353.xxx.100
	2"	40	63	68	F05/F07	14	ME-553	170,6	177	110	196	66,5	262,5	9,55	EKH.EP.3E.I.yy.DN50.ME553.xxx.100

(1) Max. torque + 30% (2) xxx = Voltage as requested 12 - 24V AC/DC or 85 - 240V AC/DC.
(3) yy = Version L or T-bore ad requested.

Flow direction L-bore



Flow direction T-bore

